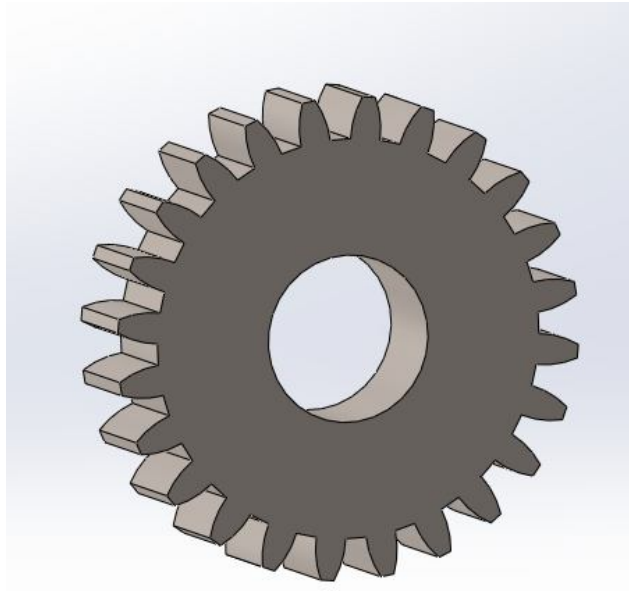


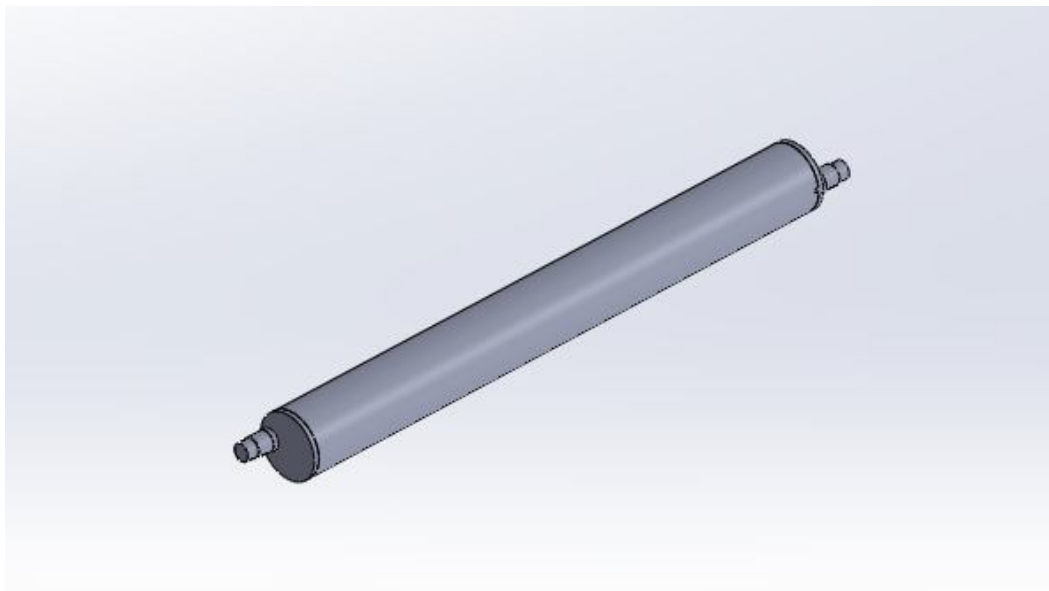
IntraAction Electronics

Injection Molded Plastic Parts

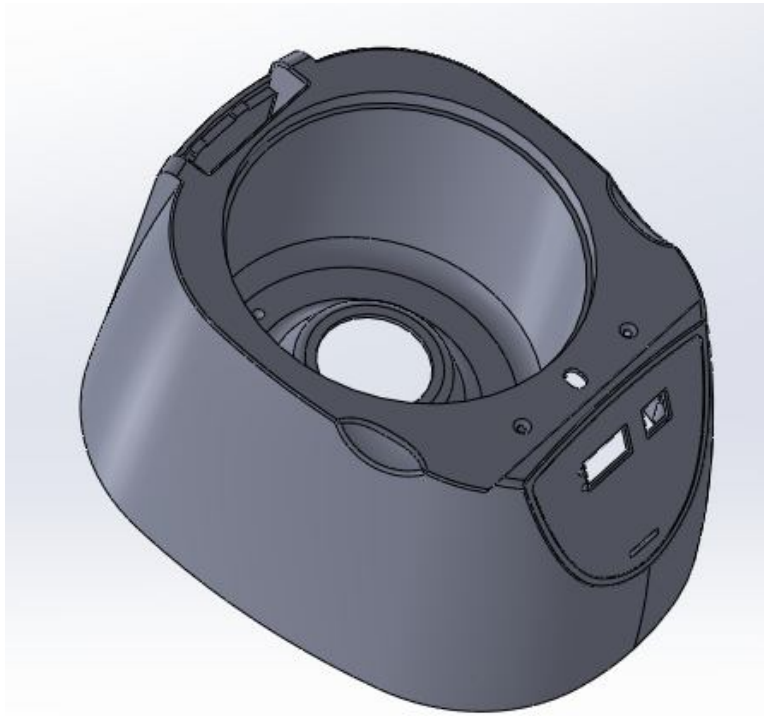
1) Spur Gear, Material : Poly Amide 6



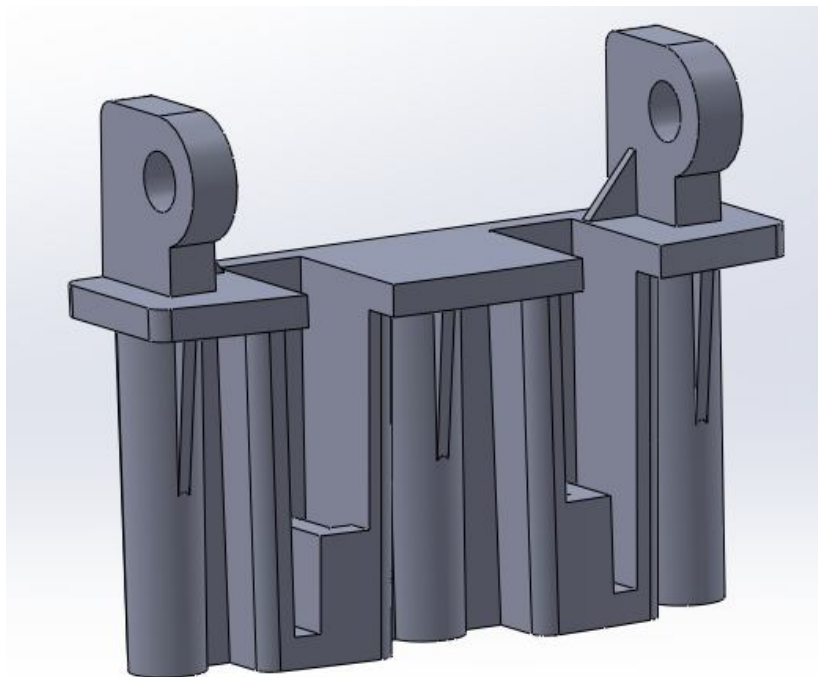
2) Guide Roller, Material : ABS



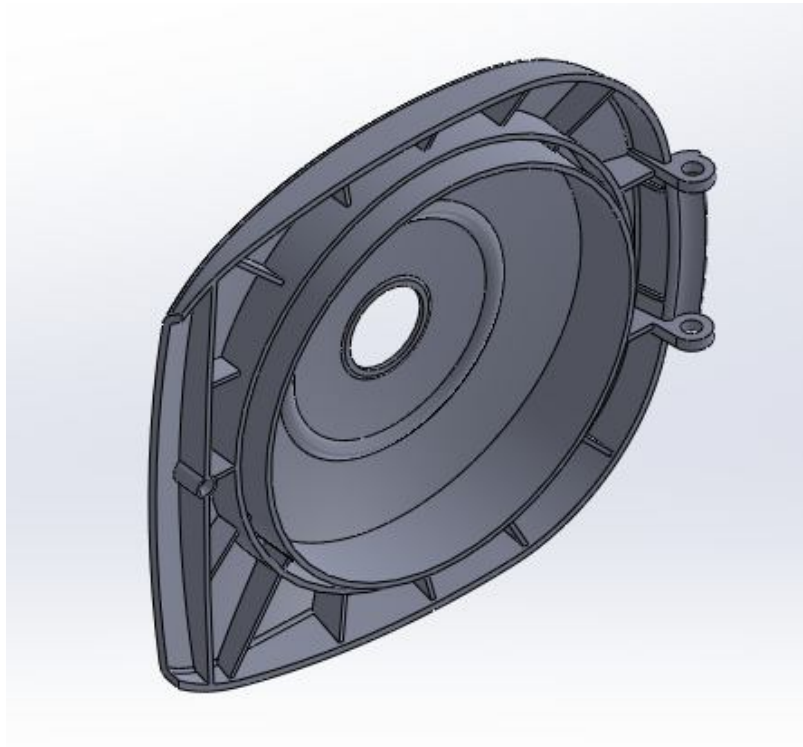
3) Clinical Centrifuge Main Body, Material : ABS



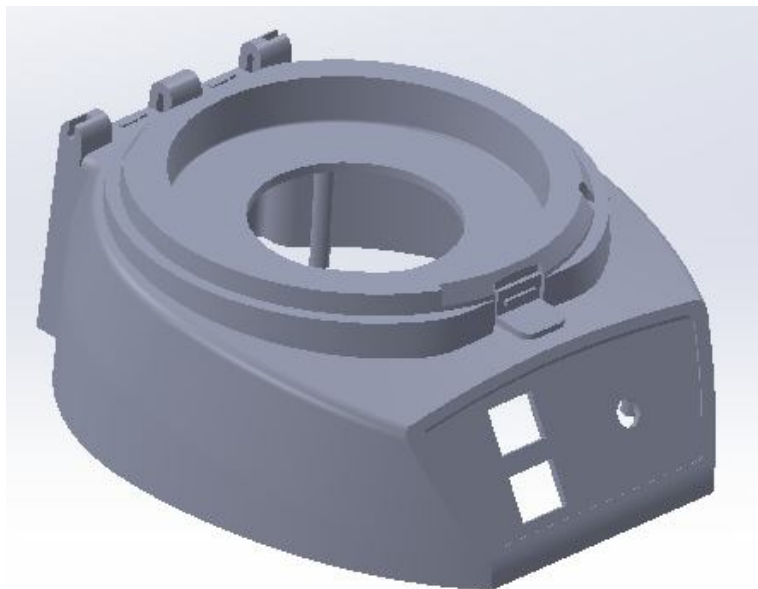
4) Hing Locking Part, Material : ABS



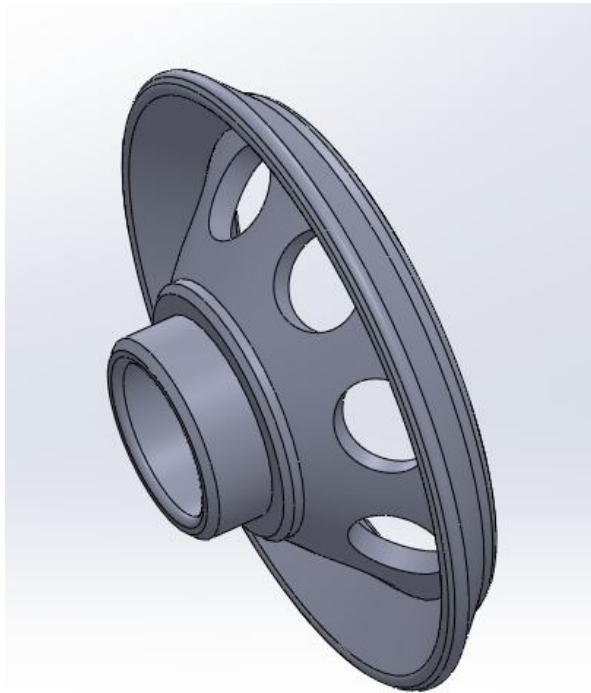
5) Top Cover For Main Body, Material : ABS



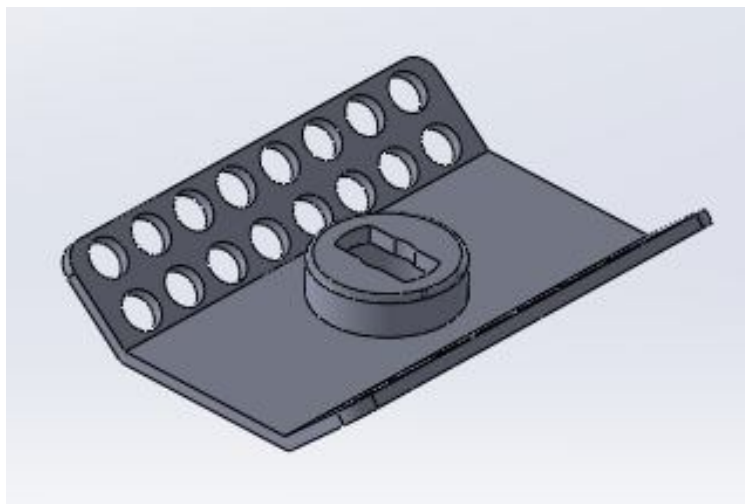
6) Main Housing Mini Centrifuge, Material : ABS



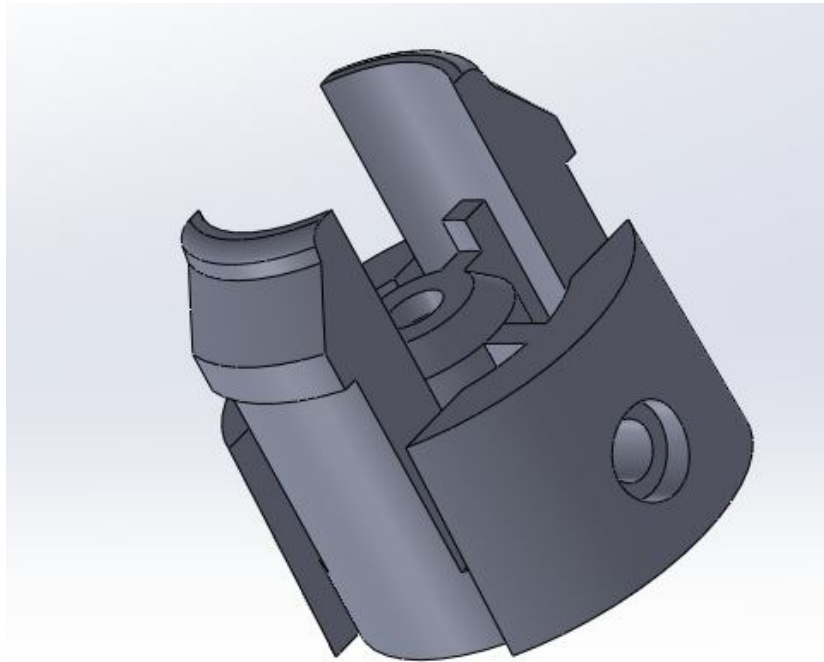
7) 2 ml Tube Rotor Centrifuge, Material : ABS



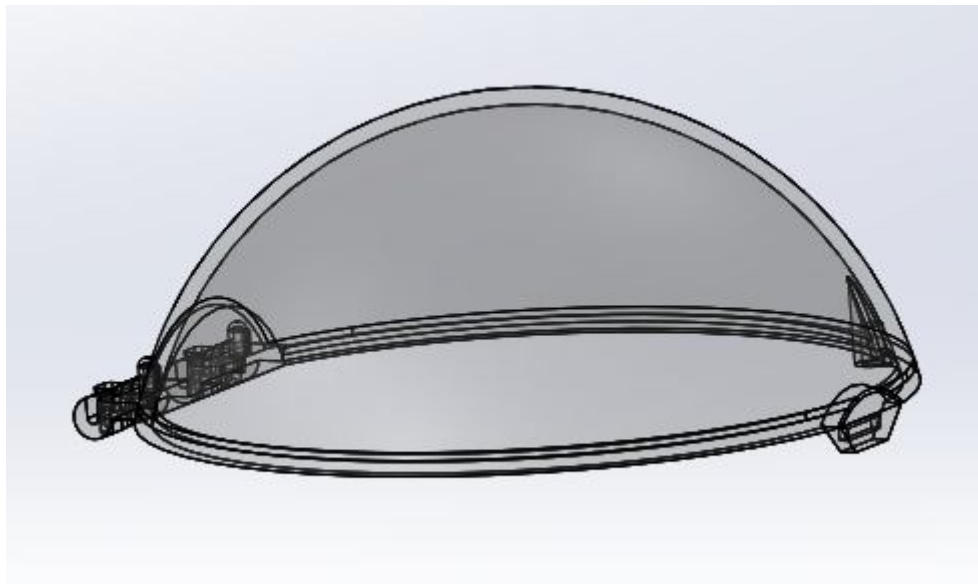
8) PCR Strip Rotor, Material : ABS



9) Snap Lock Bush, Material : Poly Carbonate



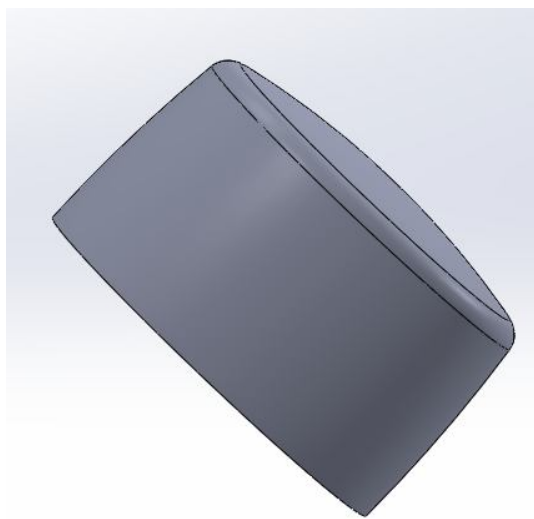
10) Lid Cover Centrifuge, Material : PC Transparent Smoke



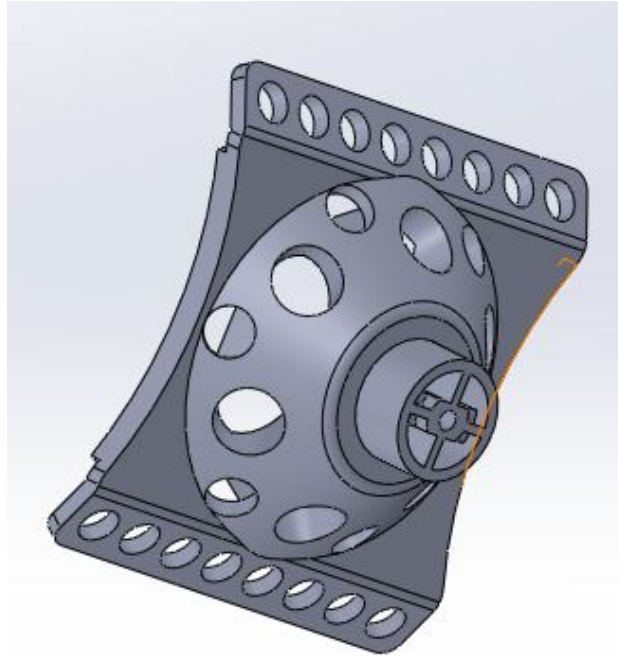
11) Lid Cover for Centrifuge, Material : PC Transparent Smoke



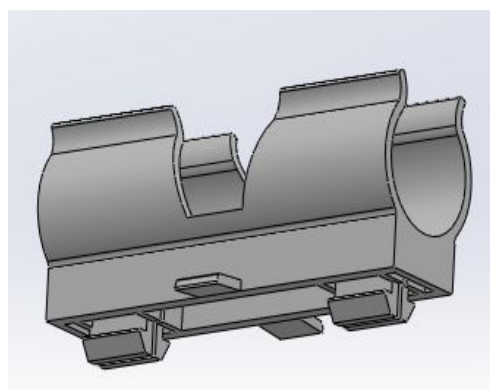
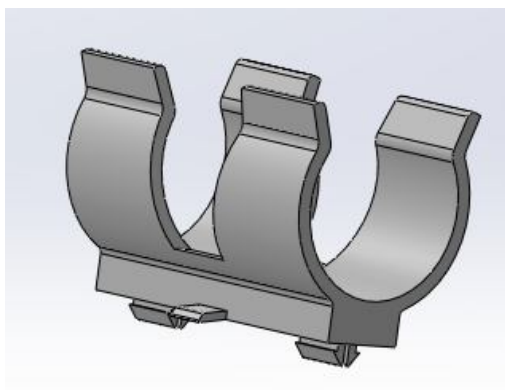
12) Rotary Knob, Material : ABS



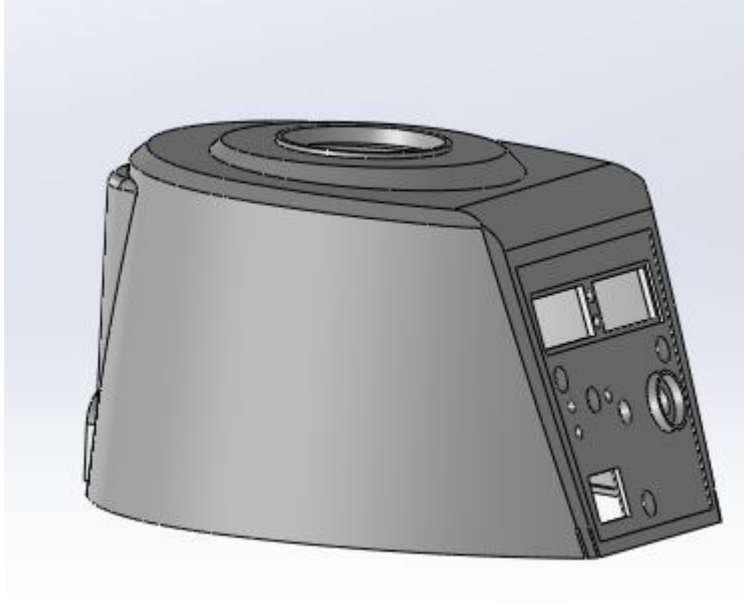
13)Combination Rotor, Material : ABS+PC



14) 50/15 ml Centrifuge Tube Clamp, Material : Nylon Virgin



15) Mixer Body Material : ABS



16) Mixer Base Plate, Material : ABS

